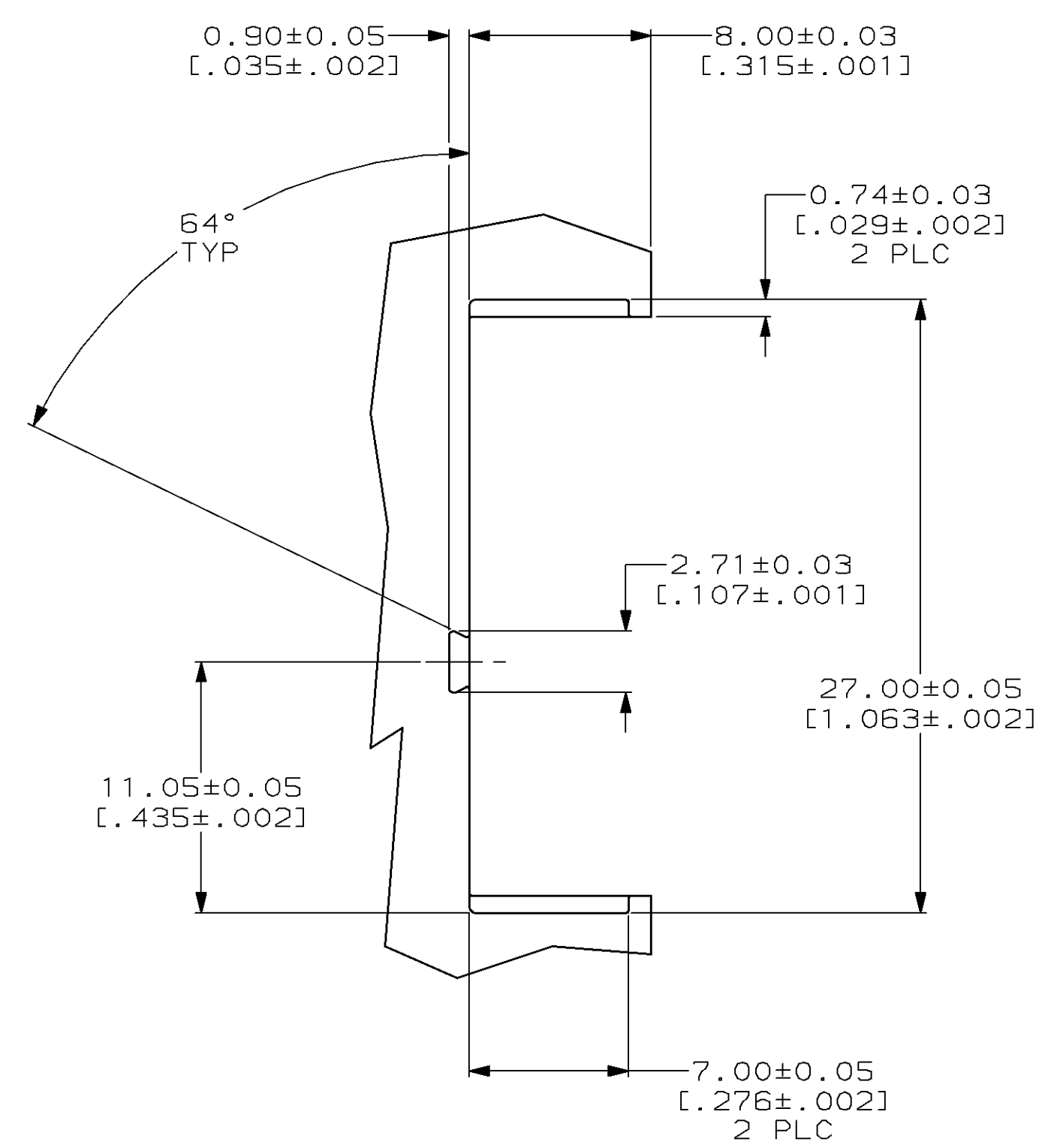
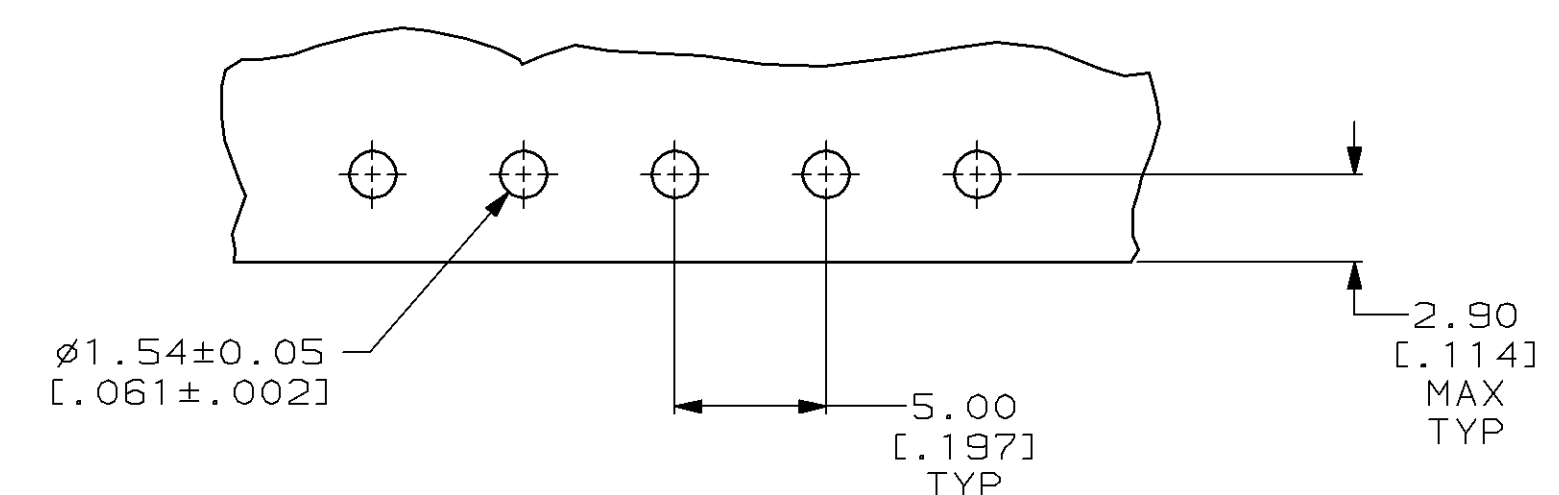


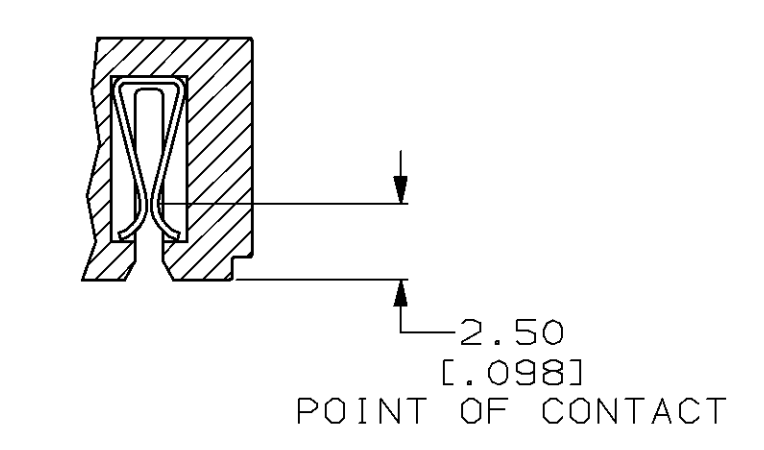
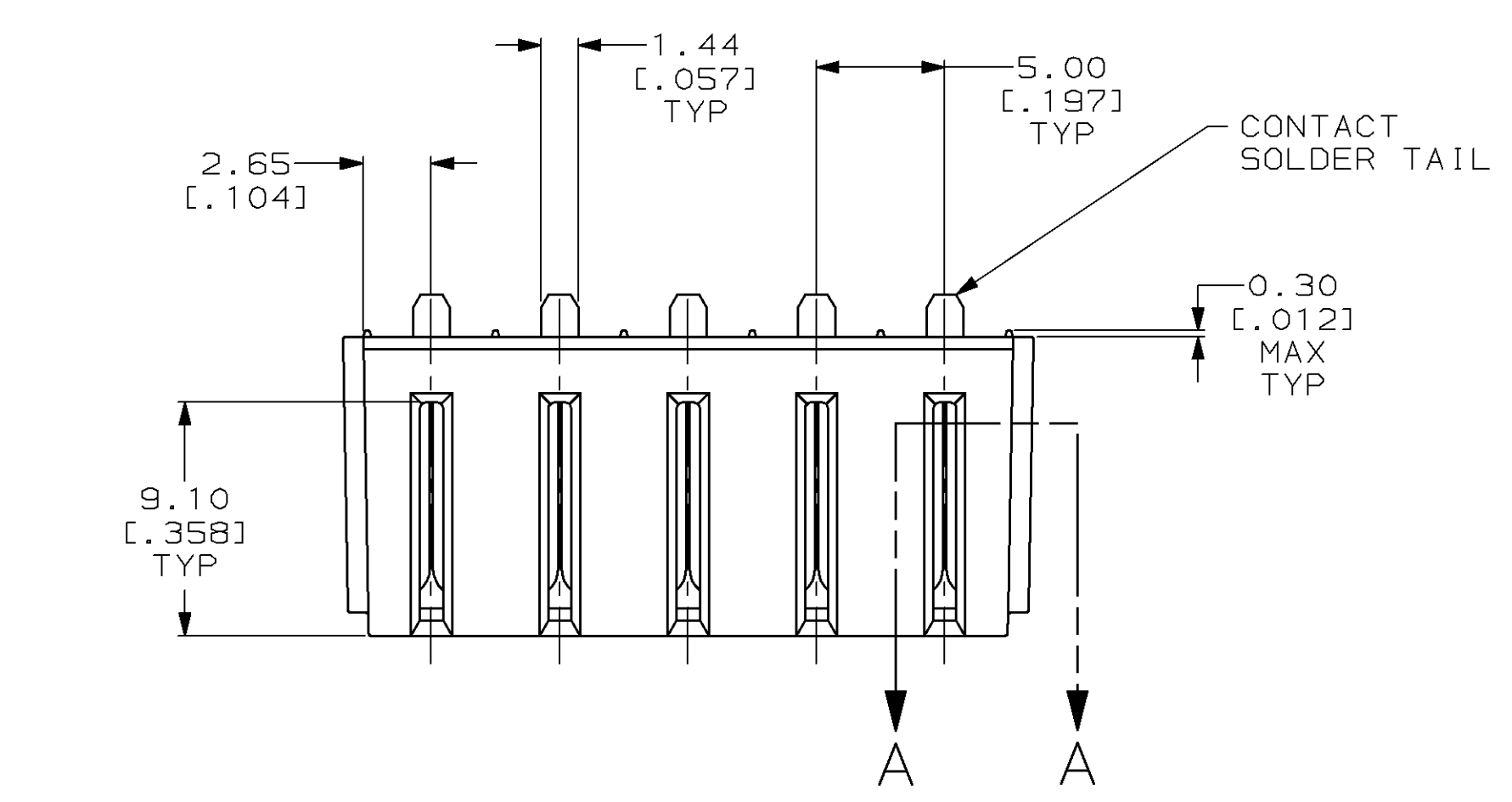
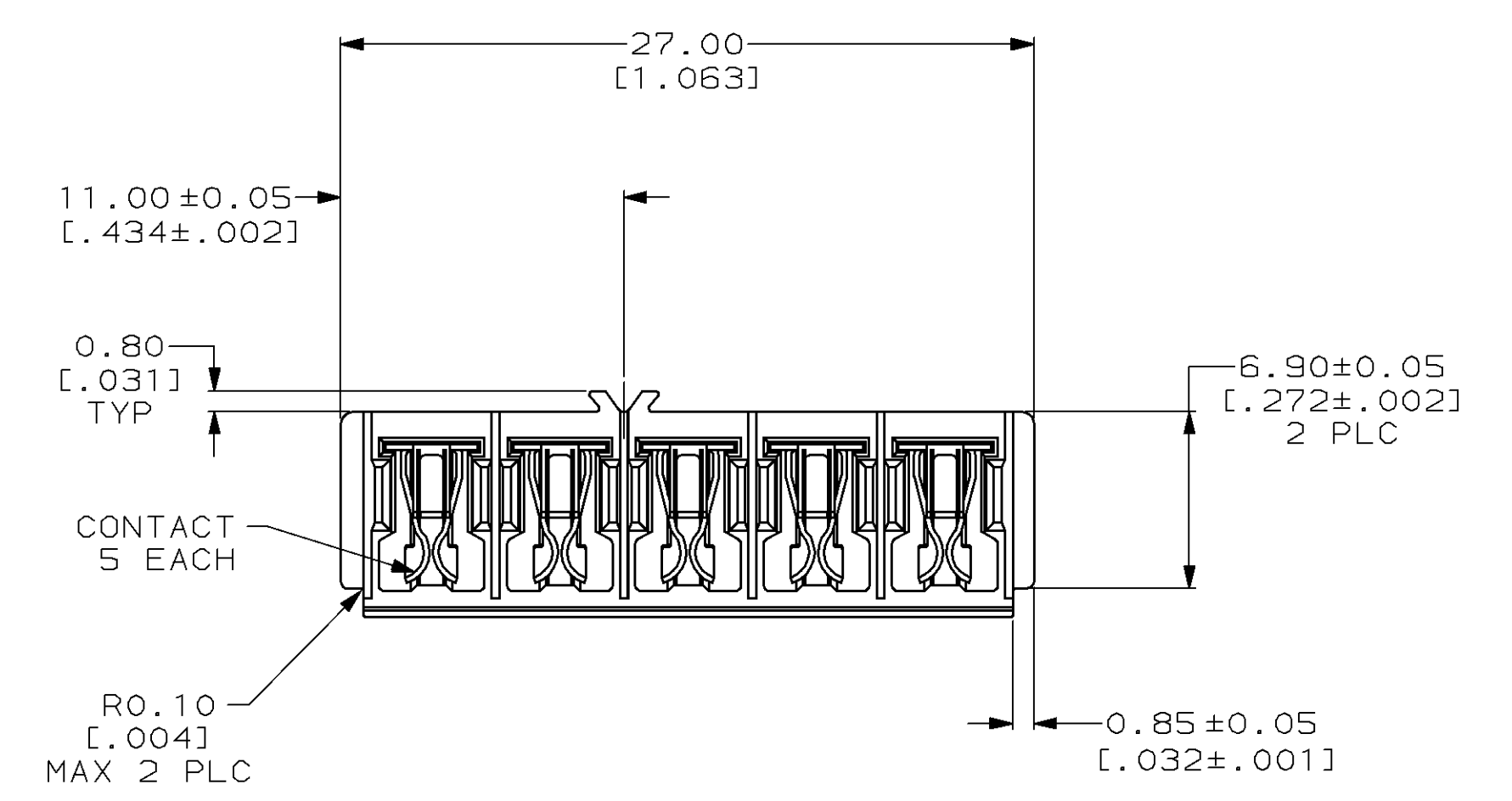
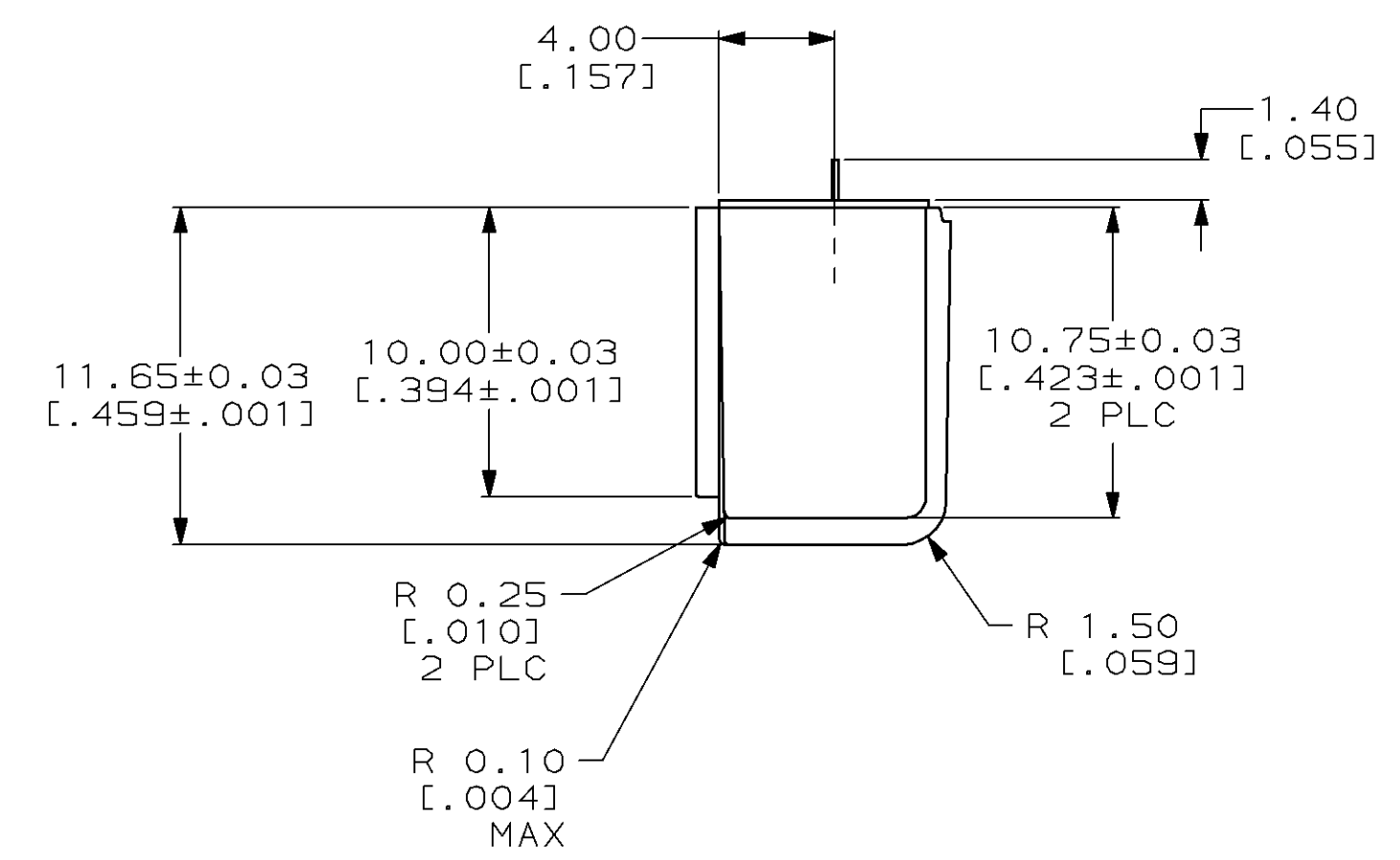
LOC		DIST		REVISIONS			
P	LTR	DESCRIPTION	DATE	OWN	APVD		
0		RELEASED	21 OCT 96	-	-		
A		REV PER 0410-0119-97	5/29/97	JR	CB		



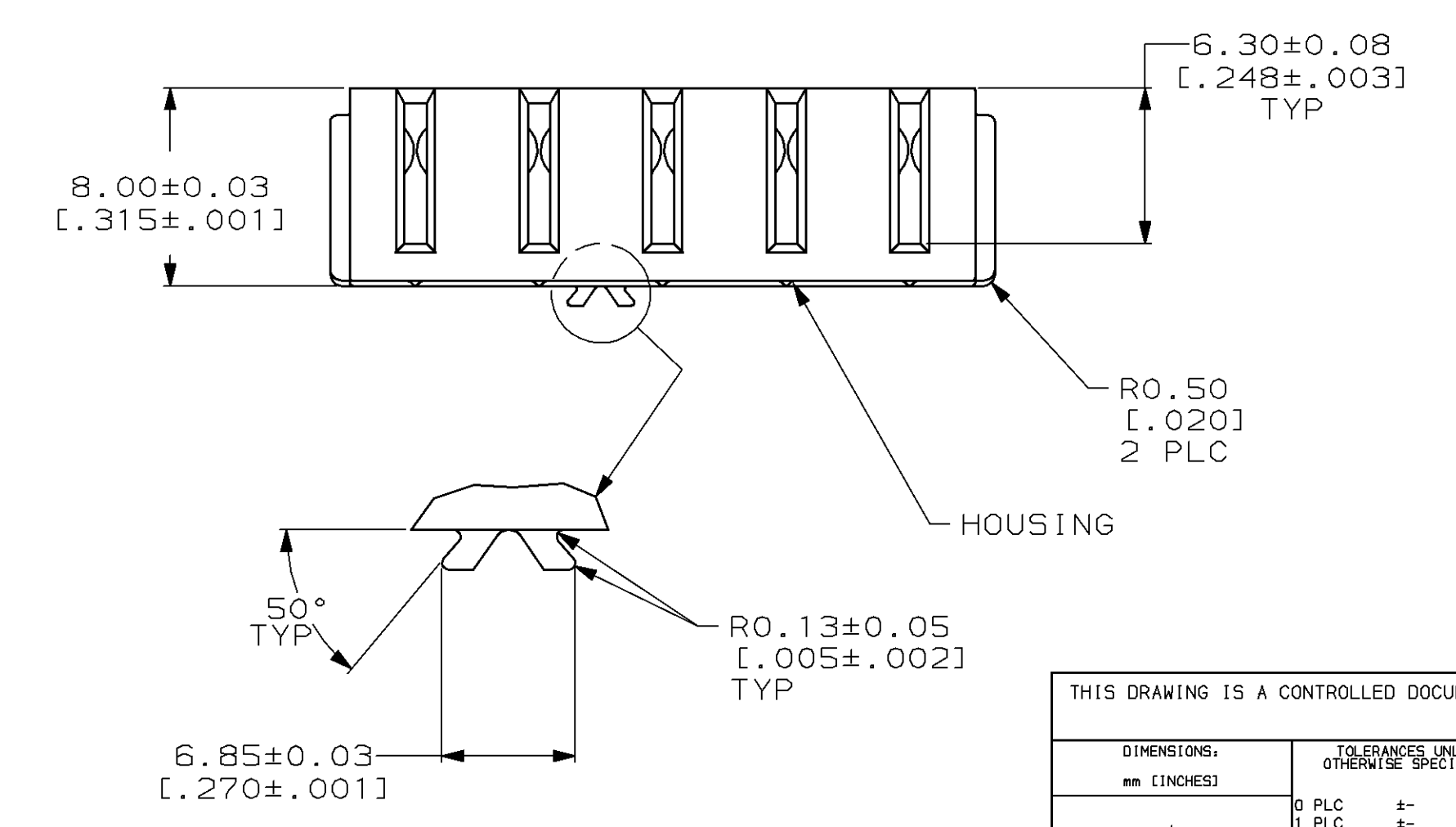
SUGGESTED CAVITY



RECOMMENDED PC BOARD LAYOUT



SECTION A-A



- ① HOUSING: POLYPHTHALAMIDE, BLACK.  
CONTACTS: PHOSPHOR BRONZE.
- ② CONTACT: 1.30µm[.000051] MIN TIN-LEAD ON SOLDER TAIL  
OVER 1.90µm[.000075] MIN NICKEL ON ENTIRE CONTACT.

146800-1  
PART NUMBER

THIS DRAWING IS A CONTROLLED DOCUMENT.		DWG C. REIFSNYDER 21 OCT 96		AMP Incorporated Harrisburg, PA 17105-3508	
DIMENSIONS: mm (INCHES)		CHK C. BAKER 04 NOV 96		NAME INSERT ASSEMBLY, 5 POSITION, KEYLESS, DOVETAIL LOCATOR, 5mm ⌀	
TOLERANCES UNLESS OTHERWISE SPECIFIED:		APP'D C. BAKER 05 NOV 96		PRODUCT SPEC 108-1501	
0 PLC ±.05	1 PLC ±.02	APPLICATION SPEC		SCALE 4:1	
2 PLC ±.01	3 PLC ±.01	WEIGHT -		SHEET 1 OF 1	
4 PLC ±.01	ANGLES ±.2°	CUSTOMER DRAWING		REV A	
MATERIAL		FINISH		DRAWING NO C-146800	